



Model Number:
KTS03-TB
KTS03-TC
KTS03-TO

<http://www.luxierusa.com/>

Installation Guide

Kitchen Series

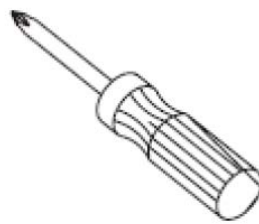
Single Handle Pull-down Kitchen faucet



Tools you will need:



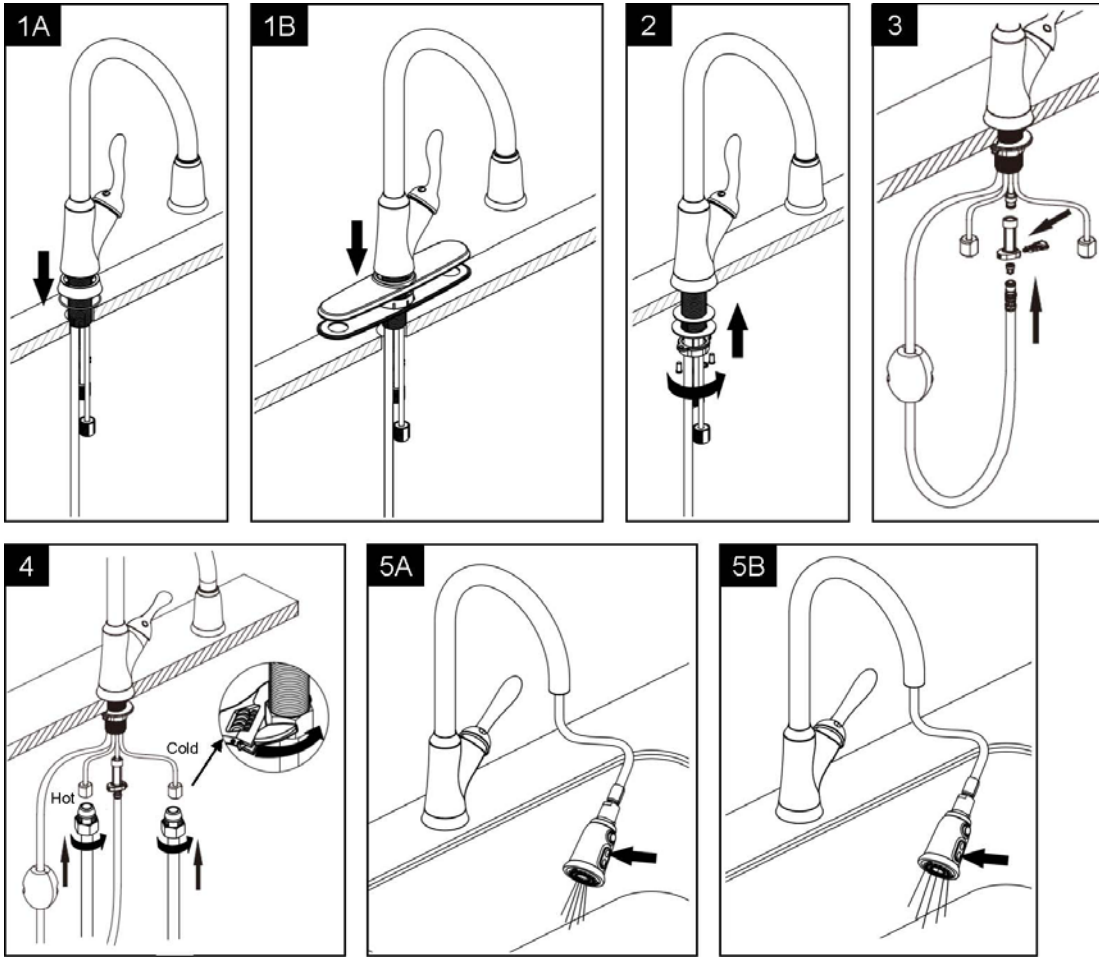
Adjustable Wrench



Phillips Screwdriver

SAFETY TIPS:

- If you use soldering for the installation of the faucet, the seats, cartridges and washers will have to be removed before using flame. Otherwise, warranty will be void on those parts.



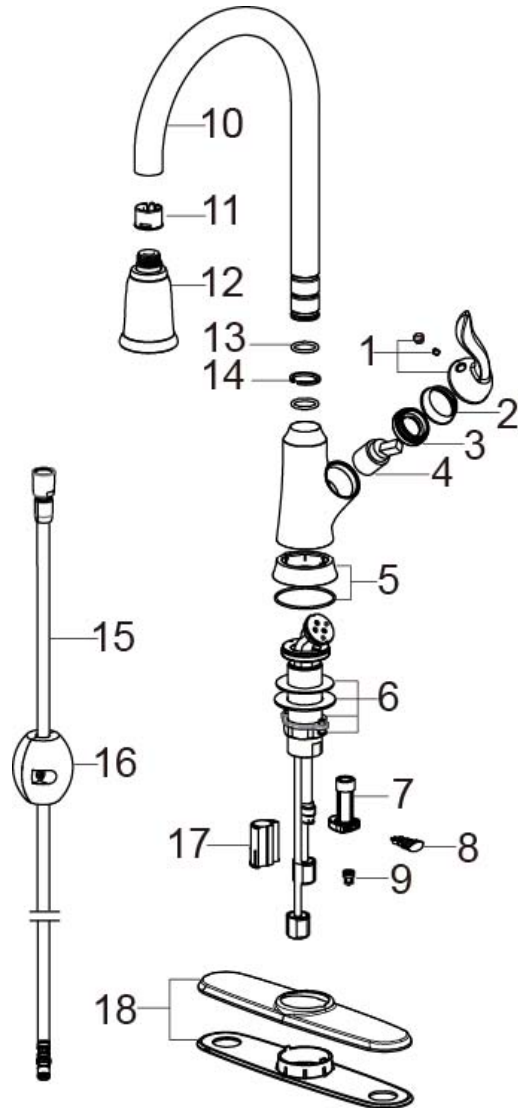
Trouble-Shooting

If you've followed the instructions carefully and your faucet still does not work properly, take these corrective steps.

<u>Problem</u>	<u>Cause</u>	<u>Action</u>
-Leaks underneath handle -Aerator leaks or has an inconsistent water flow pattern	-Retainer nut has come loose. O-ring is dirty or damaged -Aerator is dirty or mis-fitted.	Tighten the retainer nut, clean or replace O-ring -Unscrew aerator remove any debris, check seating of rubber seal then re-assemble aerator

Replacement Parts

No.	Description	Part No.
1	Metal Handle Assembly	9Q0980
2	Cap	5L0C0283
3	Retainer Nut	5N0C0697NT
4	Ceramic Disc Cartridge	52007014PL
5	Base Assembly	9Q0977
6	Mounting Hardware Assembly	9Q0979
7	Quick Connector	5L0P0440PL
8	Retainer Clip	5M0P0132PL
9	Check Valve	5D0M0003PL
10	Spout	5B0C0299
11	Hose Guide	5Y0P0014PL
12	Sprayer	5F0M0112
13	O-Ring	5R0R0152PL
14	Lock Washer	5M0P0016PL
15	Spray Hose	5G0M0142
16	Weight	53013127NT
17	Hose Guide	53013138PL
18	Deck Plate Assembly	9Q0978



Limited Lifetime Warranty

Luxier USA warrants to the original purchaser that its products will be free from defects in workmanship and materials. This warranty does not cover any other labor or service charges associated with the removal, repair, or reinstallation of Luxier products. This express warranty does not apply to products that have been damaged as a result of misuse, abuse, negligence, accident, faulty installation or maintenance practices and/or used in any manner contrary to those recommended by the manufacturer.