

luxier®

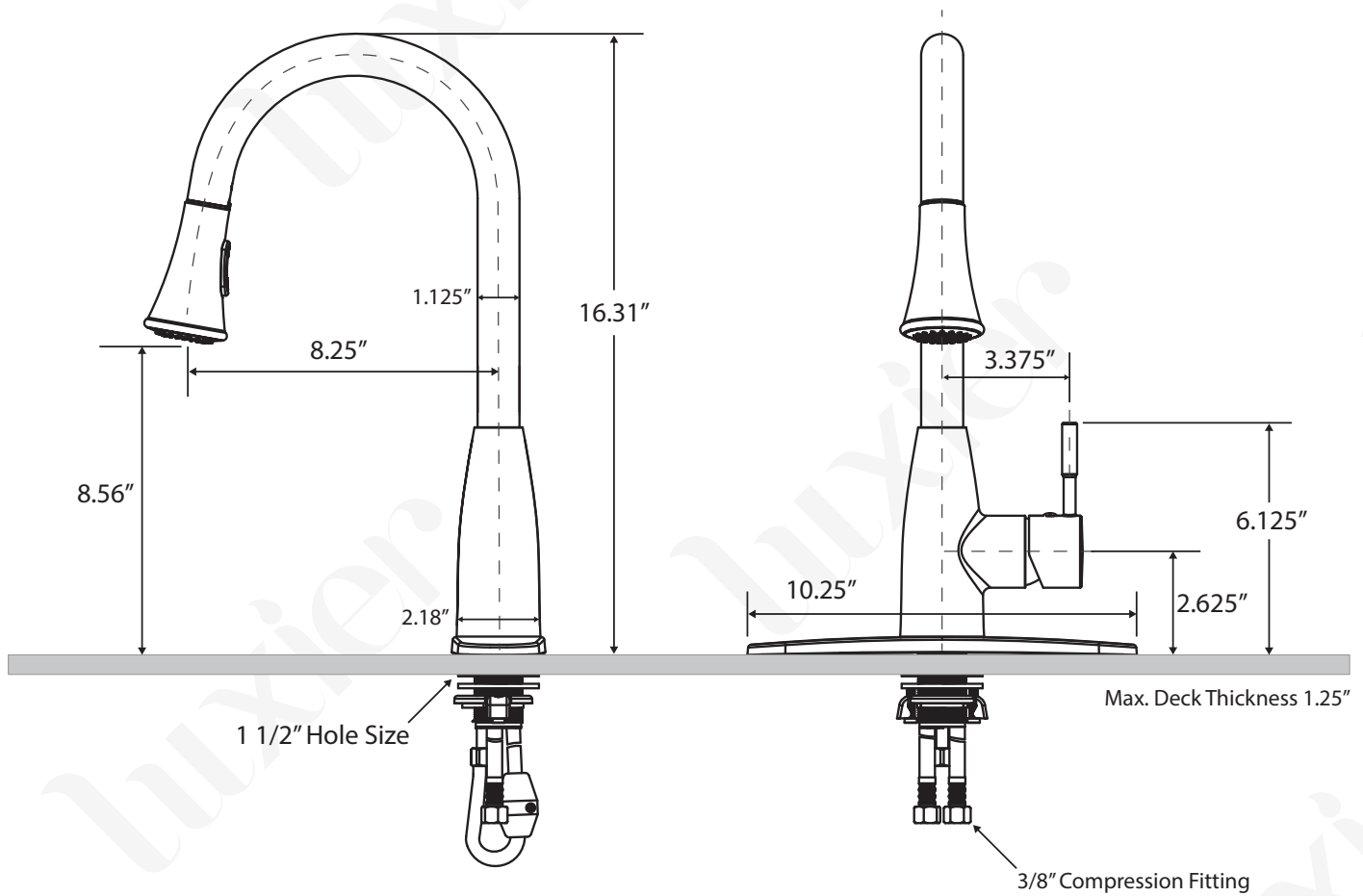
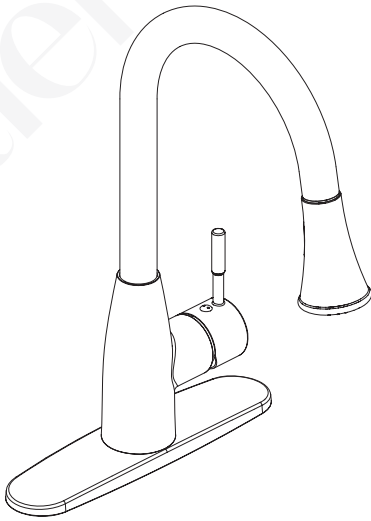
Single Handle Kitchen Faucet with Sprayer

Model Number:

KTS14-TB
KTS14-TC
KTS14-TO
60004A

Features:

- Non-metallic water way
- Single or Three Hole Installation
- Drip Free Ceramic Cartridge
- Maximum flow rate 1.8 gpm at 60 psi
- 2 Stage Sprayer Head
- Complies with:
 - NSF 61-9
 - ANSI / ASME A112.18.1
 - cUPC
 - IAPMO / UPC
 - CA AB-1953



* Drawing Not To Scale
* All Measurements are Approximate

Thank you for purchasing Luxier products. Please read the information below and keep this installation guide for future reference. If you require assistance, please contact our customer service department at 1-877-711-8828, Monday - Friday 9AM - 5PM Pacific Time or by email at support@luxierusa.com.

Limited Lifetime Warranty (For USA Only)

The manufacturer warrants this product to be leak and drip free during daily normal household use for as long as it is owned by the original purchaser of this product. Please keep a copy of the original invoice as proof of purchase.

Should a malfunction occur within the warranty period, Luxier USA will, as its option, (1) repair or replace the defective part(s) or product at no charge; (2) issue a refund of the purchase price paid for the product (Valid within 30 days from the date of purchase); or (3) issue a credit to be applied against the purchase of a new Luxier product. Shipping/delivery charges may apply and are in Luxier USA's sole discretion.

This limited warranty shall not apply to goods which have been subject to accident, negligence, improper installation, product abuse, product misuse, or use of cleaners containing abrasives, alcohol or other organic solvents, whether performed by a contractor, service company, or yourself, are excluded from this warranty.

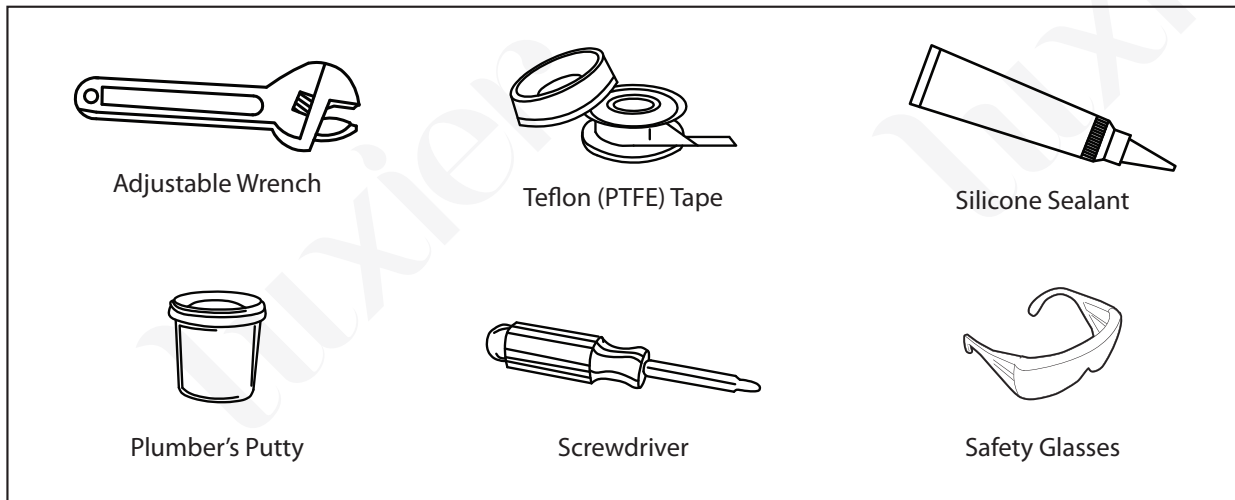
Our responsibility under this warranty is limited to only to replacement parts and no other costs. Luxier USA will not be responsible for labor charges and/or damage incurred by installation, repair or replacement, nor for any indirect incidental or consequential damages, losses, injury or costs of any nature relating to this faucet. Except as provided by law, this warranty is in lieu of and excludes all other warranties, conditions, and guarantees, whether expressed or implied, statutory or otherwise, including without restriction those merchantability of fitness for use.

This limited warranty is non-transferable. This limited warranty only applies to products purchased and installed in the United States. This limited warranty covers the original consumer purchase only and does not include business, commercial or industrial use of this product. To obtain service under the Limited Warranty, please contact Luxier USA at support@luxierusa.com. The Luxier USA Customer Care Department will determine whether to repair or replace your product, issue a refund, or issue a credit.

Attention

- This installation guide is subject to change without notice, please contact us to request the most updated version of this installation guide.
- This is a general installation guideline, actual installation may vary. Consult a professional if necessary.
- Please read all of these instructions carefully before installing your new faucet.
- Product drawings in this installation guide is for illustration purpose only. Actual product may vary depends on model.
- Always take extra precautions and wear appropriate safety equipment when installing this product.

You may also need the following tools

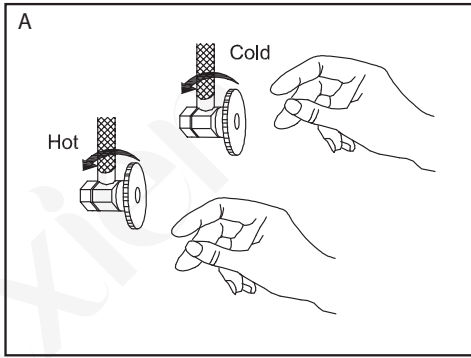


Maintenance Guide

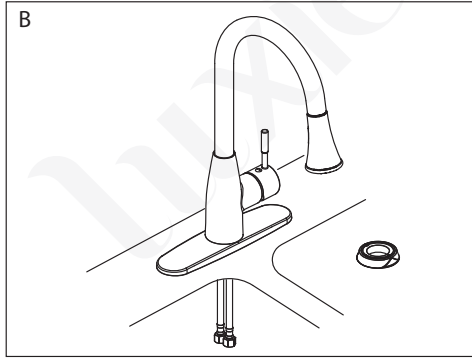
Please follow the cleaning material manufacturer's instructions. Damage caused by improper treatment will not be covered by product warranty. In addition, pay attention to the following points:

- Regular cleaning can prevent mineral build up on faucet spout.
- Carefully read the cleaner product label to ensure the cleaner is safe for use on the material.
- Test the cleaner on a small area before using on the entire surface.
- Use a mild detergent such as liquid dishwashing soap and warm water for cleaning.
- Do not use abrasive / harsh chemical when cleaning the fixture as they will damage and dull the finish.
- When using spray cleaners, spray first onto a soft cloth or sponge. Never spray directly onto the faucet as droplets can enter openings and gaps and cause damage.
- After cleaning, rinse thoroughly with clean water to remove any cleaner residue.

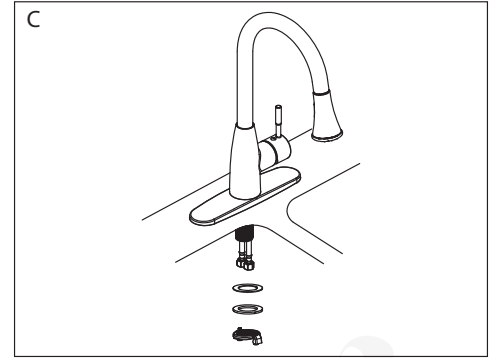
Installation



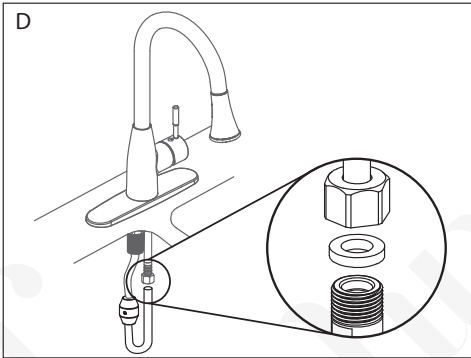
A. Shut off water supply at the valves. Remove old faucet and clean the mounting surface for installation of new faucet.



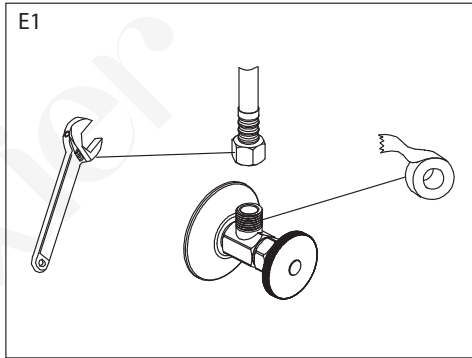
B. Based on the sink configuration, use the deck plate (24) or the flange (23) as the base for the faucet. The mounting hole on the surface should be 1 1/2" in diameter.



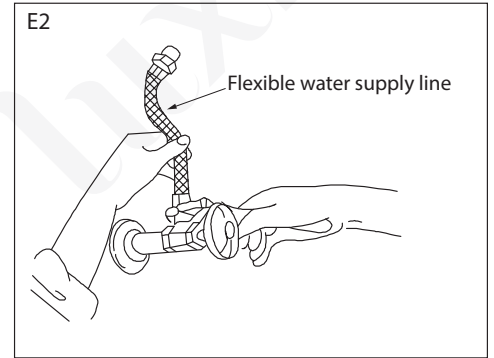
C. From under the sink, install the rubber washer (19), metal washer (20) and locking nut (21) to the shank (17). Tighten the nut to secure the faucet to the mounting surface. Use the 2 screws to lock the locking nut in place



D. Install counter weight (22) onto pull out hose (16). Connect the pull out hose to water outlet tube (14). Do not overtighten the connection.



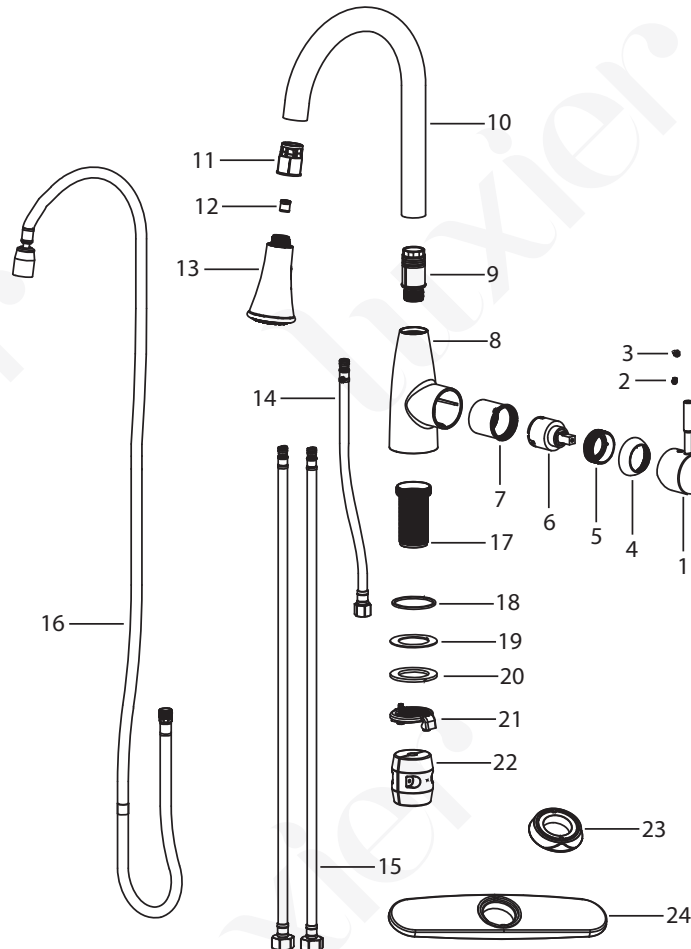
E1. Apply Teflon (TPFE) tape on the shut off valves. Thread the tape in counter-clockwise direction.



E2. Use Wrench to tighten the water supply hoses, please do not overtighten the connections.



F. Turn on water supply to check for leaks at all connection. Remove spray head from the pull out hose and let the water run for about 1 minute and check for leaks. Reattach the spray head.



- 01. Handle
- 02. Screw
- 03. Temperature Indicator
- 04. Cap
- 05. Bonnet
- 06. Cartridge
- 07. Seat
- 08. Body
- 09. Spout Connector
- 10. Spout
- 11. Plastic Guide
- 12. Check Valve
- 13. Sprayer
- 14. Outlet Hose
- 15. Water Supply Hoses
- 16. Pull Out Hose
- 17. Shank
- 18. O-Ring
- 19. Rubber Washer
- 20. Metal Washer
- 21. Locking Nut
- 22. Counter Weight
- 23. Flange
- 24. Deck Plate